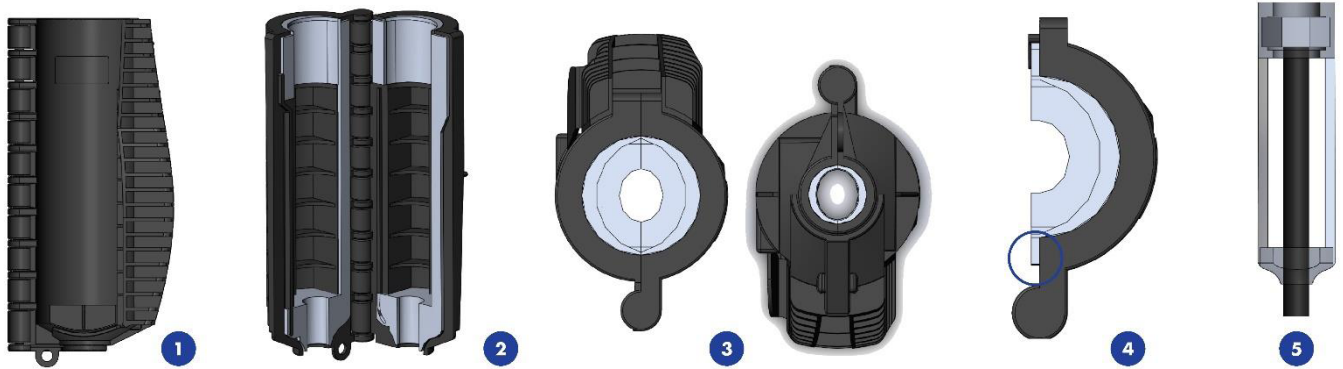


GEL SEAL CLOSURES

Type **Optimized** Gel seal closure for Antenna Coaxial Connectors (7/16 DIN or 4.3-10) - Cable (1/2 or 1/2S)



Specifications

Waterproof	IP68
Operating temperature	-40 to 80°C
ICE /Freezing rain tolerance	MIL-STD-810-F:2000
Blowing rain	IEC 60529:1989
Low temperature	IEC 68-2-1
High temperature	IEC 68-2-2
Damp heat cycling test	IEC 68-2-30
RoHS	2011/65/EU

- 1- Optimized PC+ POM* with reliable mechanical performance
- 2- Hinge structure offer durability
- 3- Elliptical port design provide better sealing & protection
- 4- Prominent platform ensure 100% sealing
- 5- Connectors' part totally wrapped around by elastomers

Black or Gray color available

With or Without ACCOND logo

* PC (Polycarbonates) is engineering plastic which properties is much better than PP or ABS, which include; Durability, hardness, abrasion resistant, Highly refractory ability and flame retardant.

Ordering Information

Part Number	Description	Color	Neck Size Range	Connector (Nut Size)	Cable (Size range)	Dimension (LxWxH)
ACC-WSDC-12ANT-B	Gel seal closure, Antenna - jumper 7/16 DIN to 1/2" or 1/2 superflex	Black	1.00-1.04" 25.4-26.4mm	7/16 DIN (30-32mm)	1/2" or 1/2"S (13.5-16mm)	145x66x43mm
ACC-WSDC-12ANT-G	Gel seal closure, Antenna - jumper 7/16 DIN to 1/2" or 1/2 superflex	Gray	1.00-1.04" 25.4-26.4mm	7/16 DIN (30-32mm)	1/2" or 1/2"S (13.5-16mm)	145x66x43mm
ACC-WS4310C-12ANT-B	Gel seal closure, Antenna - jumper 4.3-10 to 1/2" or 1/2 superflex	Black	0.68-0.80" 17.3-20.32mm	4.3-10 (24-26mm)	1/2" or 1/2"S (13.5-16mm)	120x50x30mm
ACC-WS4310C-12ANT-G	Gel seal closure, Antenna - jumper 4.3-10 to 1/2" or 1/2 superflex	Gray	0.68-0.80" 17.3-20.32mm	4.3-10 (24-26mm)	1/2" or 1/2"S (13.5-16mm)	120x50x30mm