

Reinforced straight connector MT-ZDB



*illustrative photo

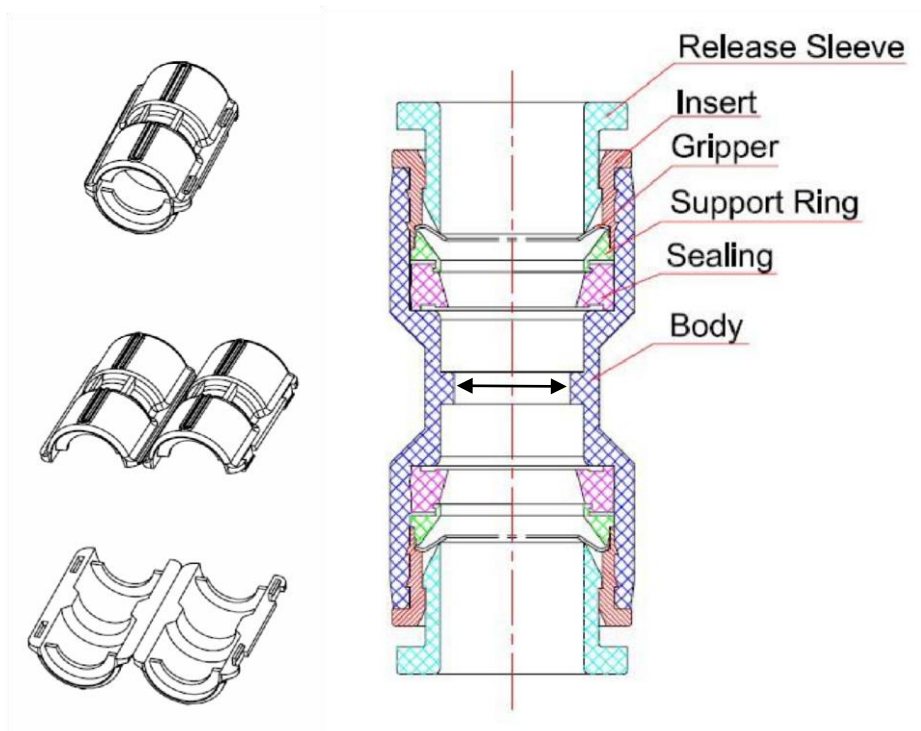
DESCRIPTION

- Fitting designed for direct bury applications
- For thick-walled and thin-walled microducts
- Transparent housing and case
- Pressure tight
- Tool-free installation – Push-in
- Re-openable case (with screw driver)
- Increased impact resistance
- Locking clip incorporated in the case
- Tested in accordance with EN 50411-2-8:2009

TECHNICAL SPECIFICATION

Direct bury straight connector type [mm]	7	10	12	14	16	20
ID entrance [mm]	7±0.2	10±0.2	12±0.2	14±0.2	16±0.2	20±0.2
Pipestop diameter [mm]	6.2	9.3	11.0	13.0	14.0	18
Maximum OD (including protection case) [mm]	26/19	29/24	31/26	32/28	32/28	41.5/35.6
Total length [mm]*	41.3	49.7	51.5	51.3	51.3	60.6
Weight [kg]*	11.9	21.8	25.3	26.4	36.8	50.3
Impact resistance (-15/20°C) [J]	5					
Resistance against internal pressure (18 bar/20°C) [h]	>2 h	>24 h	>2 h	>2 h	>24 h	>24 h

*Total length and weight includes connector and protection case.



ORDERING

-
- MT-ZDB-0704 – METROJET DIRECT BURIED MICRODUCT CONNECTOR 7 MM
 - MT-ZDB-1006 – METROJET DIRECT BURIED MICRODUCT CONNECTOR 10 MM
 - MT-ZDB-1210 – METROJET DIRECT BURIED MICRODUCT CONNECTOR 12 MM
 - MT-ZDB-1410 – METROJET DIRECT BURIED MICRODUCT CONNECTOR 14 MM
 - MT-ZDB-1612 – METROJET DIRECT BURIED MICRODUCT CONNECTOR 16 MM
 - MT-ZDB-2016 – METROJET DIRECT BURIED MICRODUCT CONNECTOR 20 MM